



BIOTRITURATORE

ELIET

MAESTRO

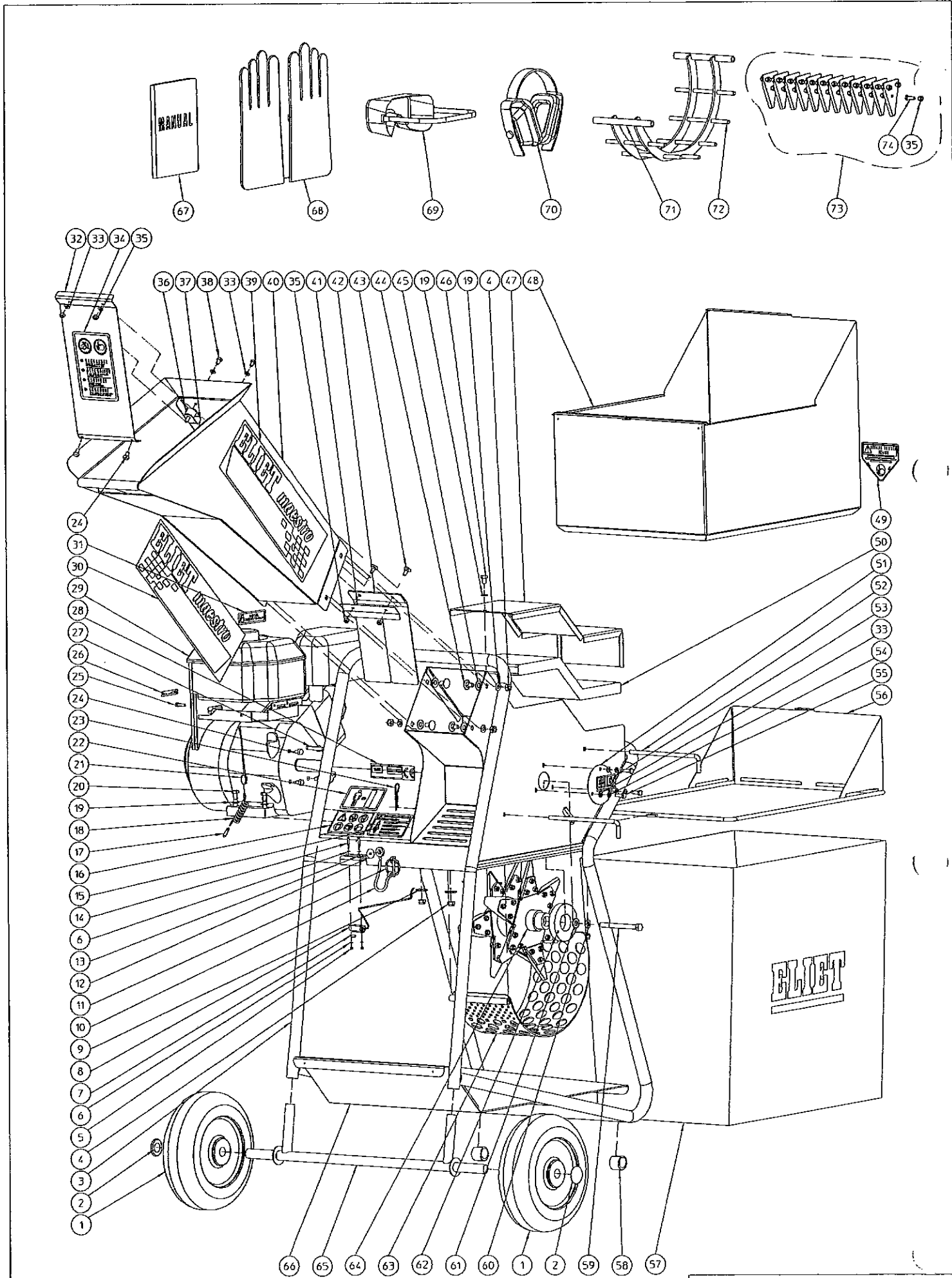
ELIET SPARE PARTS MANUAL

MAESTRO (VERSION 1)

GENERAL OVERVIEW ASSEMBLYLISTS

	LIST NUMBER	DESCRIPTION	DRAWING NR.	BUILT AFTER
1	ASSEMBLYLIST 1	MACHINE ASSEMBLY ⁽¹⁾	MMA 01 220 100-1	28/03/2002

⁽¹⁾ Version 1 until serial n°47110 engine B&S Intek 5.5



ELIET MAESTRO				
NO	MMA-01.220.100	REV	1	DATE
				2004/06/29

ELIET SPARE PARTS MANUAL

MAESTRO (VERSION 1)

ASSEMBLYLIST 1

MACHINE ASSEMBLY

MMA 01 220 100-1

ITEM	PART NUMBER	DESCRIPTION	QUANTITY
1	BW 024 520 000	WHEEL 3.00-4	2
2	BB 011 000 200	STARLOCK 20MM	2
3	MPA 01 220 010	CHASSIS	1
4	BS 502 000 800	SELF LOCKING NUT M8 DIN 985	8
5	BS 502 000 300	SELF LOCKING NUT M3 DIN 985	2
6	BS 531 000 300	WASHER M3 DIN 125	4
7	BE 031 012 900	EYED TERMINAL M3	1
8	BE 120 010 500	SAFETY SWITCH	1
9	BS 532 008 254	WASHER M8X25X2	4
10	BY 724 010 200	SAFETY STRING PVC TRANSPARENT	1
11	BB 040 304 030	LOCKING PIN WITH BRACKET 4.5X36	1
12	BS 532 005 203	WASHER M5X20X1.5	1
13	BB 221 105 100	POP PLUG ALU 4.8X10	1
14	BS 541 000 320	SCREW M3X20 DIN 84	2
15	BQ 505 010 040	SAFETY STICKER 60X100 (SPARK PLUG)	1
16	BQ 505 010 050	SAFETY STICKER 60X100 (PICTOGRAM)	1
17	BE 031 013 400	CABLE CONNEXION RED	1
18	BE 090 230 301	RED WIRE 1.5 CE 30	1
19	BS 531 000 800	WASHER M8 DIN 125	9
20	BS 511 000 835	BOLT M8X35 DIN 931	4
21	BE 031 034 201	BLUE WIRE CONNECTOR 2.5MM	1
22	BQ 505 010 150	SAFETY STICKER 60X100 (DISTANCE)	1
23	BB 040 102 040	HAIRPIN COTTER 2MM	2
24	BR 602 006 151	RUBBER BUMPER	6
25	BS 514 000 520	BOLT M5X20 DIN 7513	1
26	BQ 501 020 230	STICKER 54X10 (TURTLE / RABBIT)	1
27	BB 342 050 548	KEY 4.7X4.7X48	1
28	BQ 505 010 010	IDENTITY STICKER CE 120X30	1
29	BM 201 205 500	ENGINE B&S INTEK 5.5 HP (AXLE 3/4")	1
30	BQ 501 020 210	STICKER ELIET MAESTRO (L)	1
31	BQ 505 010 030	STICKER MAX 3200 RPM 90X25	1
32	MPA 01 220 080	ANTI PROJECTION SHIELD	1
33	BS 531 000 600	WASHER M6 DIN 125	7
34	BQ 505 010 140	SAFETY STICKER 150X100 (INFEED)	1
35	BS 502 000 600	SELF LOCKING NUT M6 DIN 985	4
36	BR 600 220 150	ANTIVIBRATION BLOCKS 20X15B M6X15	2
37	BR 910 000 020	RETAINER ERTALON 80X20X2	2
38	BS 512 000 610	BOLT M6X10 DIN 933	2
39	BQ 501 020 220	STICKER ELIET MAESTRO (R)	1

ELIET SPARE PARTS MANUAL**MAESTRO (VERSION 1)****ASSEMBLYLIST 1****MACHINE ASSEMBLY**

MMA 01 220 100-1

ITEM	PART NUMBER	DESCRIPTION	QUANTITY
40	MPA 01 220 020	HOPPER	1
41	MPA 01 220 070	RETAINER FOR RUBBER ANTI PROJECTION FLAP	1
42	BR 900 001 270	RUBBER ANTI PROJECTION FLAP	1
43	BS 554 100 616	BOLT M6X16 DIN 603	2
44	BS 554 100 816	BOLT M8X16 DIN 603	4
45	BS 531 001 000	WASHER M10 DIN 125	4
46	BS 512 000 812	BOLT M8X12 DIN 933	1
47	MPA 01 220 090	ACOUSTIC COVER	1
48	MA 001 001 023	OUTPUT DEFLECTOR (OPTIONAL)	1
49	BQ 505 010 070	SAFETY STICKER 100X80 (HANDCUTS)	1
50	BQ 158 405 300	SOUND ISOLATING COVER	1
51	MPA 01 220 100	SMALL COVER PLATE	1
52	MPA 01 220 130	LOCKING ROD	2
53	BQ 501 010 010	STICKER ELIET 65X30	1
54	BS 534 000 600	LOCK WASHER M6 DIN 6798A	3
55	BS 512 000 620	BOLT M6X20 DIN 933	3
56	MPA 01 220 040	FRAME COLLECTING BAG	1
57	BQ 348 020 020	COLLECTING BAG	1
58	BR 831 990 640	PLASTIC FOOT	2
59	BS 511 040 851	BOLT UNF 5/16"X4"1/2	1
60	BS 534 000 800	LOCK WASHER M8 DIN 6798A	1
61	BS 531 208 214	WASHER M8X21X4	1
62	BR 910 000 100	NYLON BEARING (ROTOR)	1
63	MPA 01 220 030	STANDARD GRATING	1
64	MPA 01 220 050	ROTOR (AXLE 3/4")	1
65	MPA 01 220 120	SUPPORT WHEELS	1
66	MA 001 001 022	TRANSPORT PLATE (OPTIONAL)	1
67	BZ 201 220 010	MANUAL	1
68	BQ 710 050 000	GLOVES	1
69	BQ 720 050 000	GOGGLES	1
70	BQ 700 050 000	HEARING PROTECTORS	1
71	MPA 01 220 140	GRATING FOR WET MATERIAL	1
72	MPA 01 220 150	ROD FOR GRATING	6
73	BU 401 100 102	SET OF KNIVES	1
74	BS 012 000 618	BOLT M6X18 DIN 933	0

ELIET SPARE PARTS MANUAL

MAESTRO (VERSION 2)

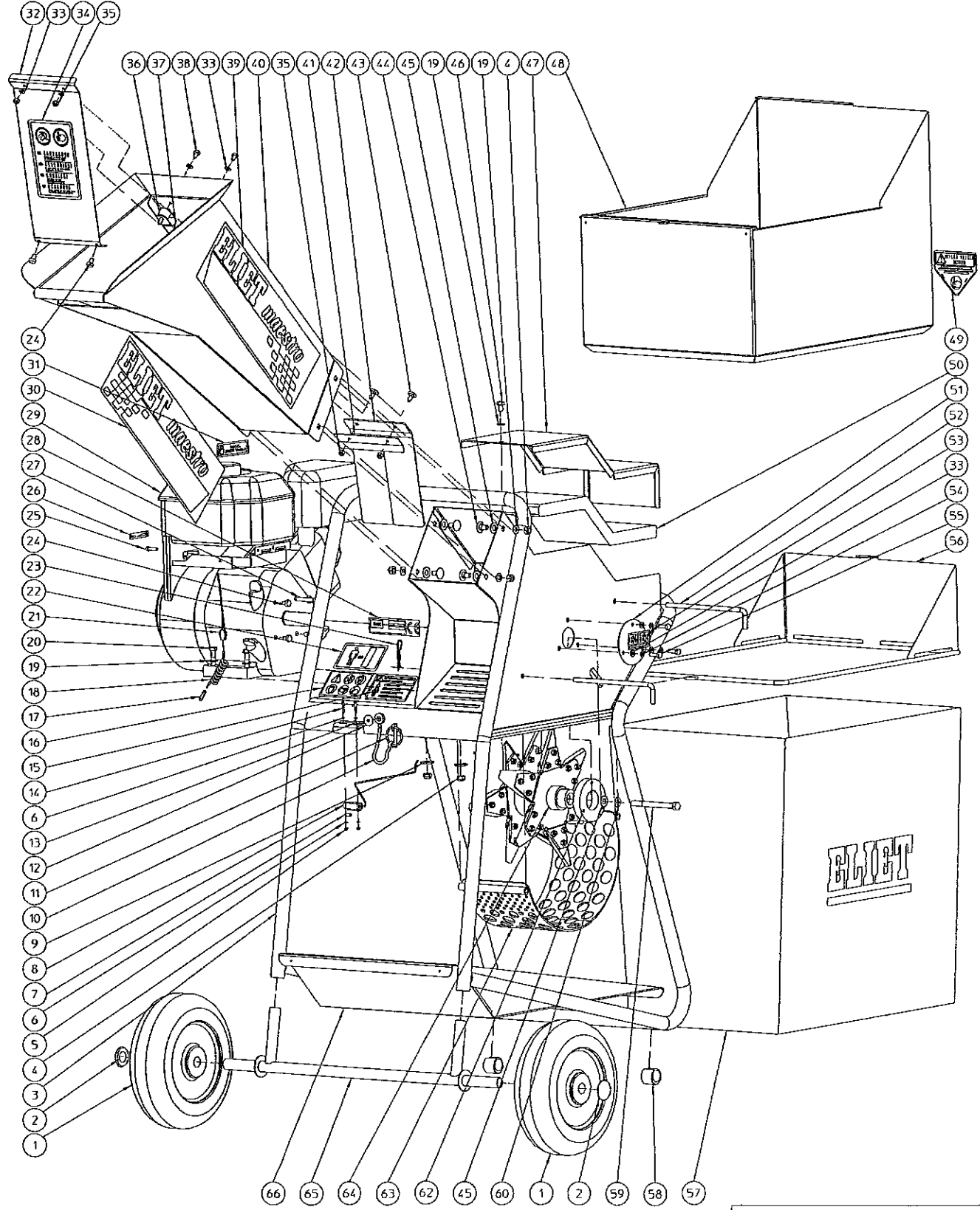
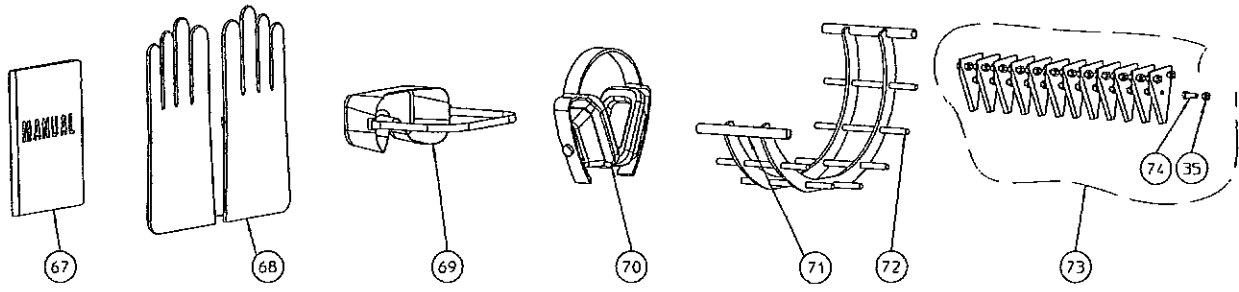
GENERAL OVERVIEW ASSEMBLYLISTS

	LIST NUMBER	DESCRIPTION	DRAWING NR.	BUILT AFTER
1	ASSEMBLYLIST 1	MACHINE ASSEMBLY ⁽¹⁾	MMA 01 220 100-2	26/06/2004

⁽¹⁾

Version 2 from serial n°47111 engine B&S Intek 5.5

The difference between version 1 and version 2 is the inner shaft diameter of the rotor (1" instead of 3/4")



ELIET MAESTRO				
NO	MMA-01.220.100	REV	2	DATE 2004/06/29

ELIET SPARE PARTS MANUAL

MAESTRO (VERSION 2)

ASSEMBLYLIST 1

MACHINE ASSEMBLY

MMA 01 220 100-2

ITEM	PART NUMBER	DESCRIPTION	QUANTITY
1	BW 024 520 000	WHEEL 3.00-4	2
2	BB 011 000 200	STARLOCK 20MM	2
3	MPA 01 220 010	CHASSIS	1
4	BS 502 000 800	SELF LOCKING NUT M8 DIN 985	8
5	BS 502 000 300	SELF LOCKING NUT M3 DIN 985	2
6	BS 531 000 300	WASHER M3 DIN 125	4
7	BE 031 012 900	EYED TERMINAL M3	1
8	BE 120 010 500	SAFETY SWITCH	1
9	BS 532 008 254	WASHER M8X25X2	4
10	BY 724 010 200	SAFETY STRING PVC TRANSPARENT	1
11	BB 040 304 030	LOCKING PIN WITH BRACKET 4.5X36	1
12	BS 532 005 203	WASHER M5X20X1.5	1
13	BB 221 105 100	POP PLUG ALU 4.8X10	1
14	BS 541 000 320	SCREW M3X20 DIN 84	2
15	BQ 505 010 040	SAFETY STICKER 60X100 (SPARK PLUG)	1
16	BQ 505 010 050	SAFETY STICKER 60X100 (PICTOGRAM)	1
17	BE 031 013 400	CABLE CONNEXION RED	1
18	BE 090 230 301	RED WIRE 1.5 CE 30	1
19	BS 531 000 800	WASHER M8 DIN 125	9
20	BS 511 000 835	BOLT M8X35 DIN 931	4
21	BE 031 034 201	BLUE WIRE CONNECTOR 2.5MM	1
22	BQ 505 010 150	SAFETY STICKER 60X100 (DISTANCE)	1
23	BB 040 102 040	HAIRPIN COTTER 2MM	2
24	BR 602 006 151	RUBBER BUMPER	6
25	BS 514 000 520	BOLT M5X20 DIN 7513	1
26	BQ 501 020 230	STICKER 54X10 (TURTLE / RABBIT)	1
27	BB 342 060 657	KEY 6.35X6.35X57	1
28	BQ 505 010 010	IDENTITY STICKER CE 120X30	1
29	BM 201 205 501	ENGINE B&S INTEK 5.5 HP (AXLE 1")	1
30	BQ 501 020 210	STICKER ELIET MAESTRO (L)	1
31	BQ 505 010 030	STICKER MAX 3200 RPM 90X25	1
32	MPA 01 220 080	ANTI PROJECTION SHIELD	1
33	BS 531 000 600	WASHER M6 DIN 125	7
34	BQ 505 010 140	SAFETY STICKER 150X100 (INFEED)	1
35	BS 502 000 600	SELF LOCKING NUT M6 DIN 985	4
36	BR 600 220 150	ANTIVIBRATION BLOCKS 20X15B M6X15	2
37	BR 910 000 020	RETAINER ERTALON 80X20X2	2
38	BS 512 000 610	BOLT M6X10 DIN 933	2

ELIET SPARE PARTS MANUAL**MAESTRO (VERSION 2)****ASSEMBLYLIST 1****MACHINE ASSEMBLY**

MMA 01 220 100-2

ITEM	PART NUMBER	DESCRIPTION	QUANTITY
39	BQ 501 020 220	STICKER ELIET MAESTRO (R)	1
40	MPA 01 220 020	HOPPER	1
41	MPA 01 220 070	RETAINER FOR RUBBER ANTI PROJECTION FLAP	1
42	BR 900 001 270	RUBBER ANTI PROJECTION FLAP	1
43	BS 554 100 616	BOLT M6X16 DIN 603	2
44	BS 554 100 816	BOLT M8X16 DIN 603	4
45	BS 531 001 000	WASHER M10 DIN 125	5
46	BS 512 000 812	BOLT M8X12 DIN 933	1
47	MPA 01 220 090	ACOUSTIC COVER	1
48	MA 001 001 023	OUTPUT DEFLECTOR (OPTIONAL)	1
49	BQ 505 010 070	SAFETY STICKER 100X80 (HANDCUTS)	1
50	BQ 158 405 300	SOUND ISOLATING COVER	1
51	MPA 01 220 100	SMALL COVER PLATE	1
52	MPA 01 220 130	LOCKING ROD	2
53	BQ 501 010 010	STICKER ELIET 65X30	1
54	BS 534 000 600	LOCK WASHER M6 DIN 6798A	3
55	BS 512 000 620	BOLT M6X20 DIN 933	3
56	MPA 01 220 040	FRAME COLLECTING BAG	1
57	BQ 348 020 020	COLLECTING BAG	1
58	BR 831 990 640	PLASTIC FOOT	2
59	BS 511 041 050	BOLT UNF 3/8"X4"	1
60	BS 534 001 000	LOCK WASHER M10 DIN 6798A	1
62	BR 910 000 100	NYLON BEARING (ROTOR)	1
63	MPA 01 220 030	STANDARD GRATING	1
64	MPA 01 220 160	ROTOR (AXLE 1")	1
65	MPA 01 220 120	SUPPORT WHEELS	1
66	MA 001 001 022	TRANSPORT PLATE (OPTIONAL)	1
67	BZ 201 220 010	MANUAL	1
68	BQ 710 050 000	GLOVES	1
69	BQ 720 050 000	GOGGLES	1
70	BQ 700 050 000	HEARING PROTECTORS	1
71	MPA 01 220 140	GRATING FOR WET MATERIAL	1
72	MPA 01 220 150	ROD FOR GRATING	6
73	BU 401 100 102	SET OF KNIVES	1
74	BS 012 000 618	BOLT M6X18 DIN 933	0